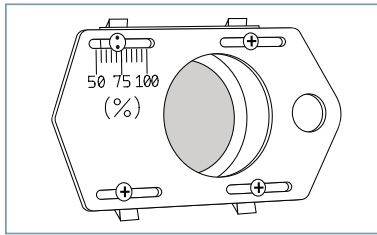


2" SKIMMER CUT SHEET

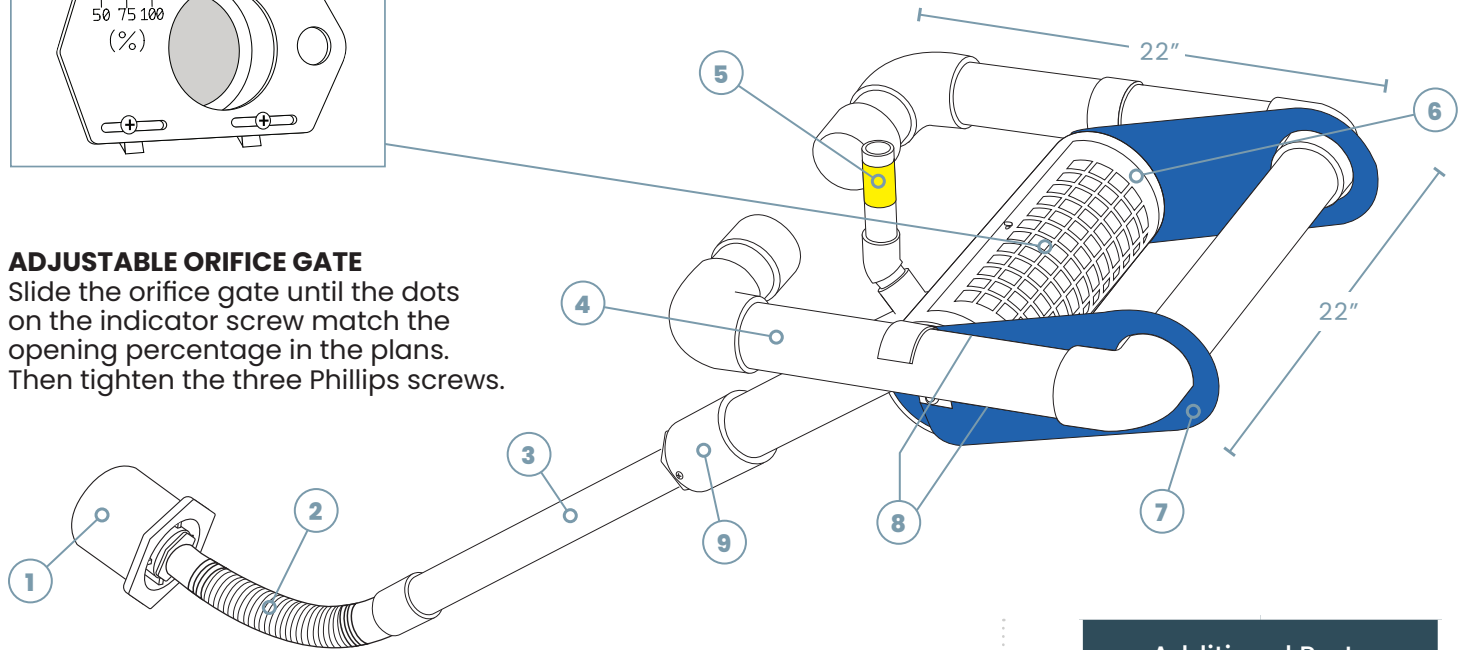
Ships in cardboard box | Dimensions: 28" x 21" x 9"
 Patent # 5,820,751

Faircloth Skimmer®



ADJUSTABLE ORIFICE GATE

Slide the orifice gate until the dots on the indicator screw match the opening percentage in the plans. Then tighten the three Phillips screws.



* Skimmer shown in floating position

- 1 4" Sch 40 coupling connection to be attached to a 4" outlet structure.
- 2 1/2" Flex hose with 1/2" female coupling to be connected to barrel pipe.
- 3 1/2" Sch 40 solid PVC barrel (SUPPLIED BY USER). Barrel kit can be purchased separately.
- 4 2 1/2" PVC float.
- 5 1" Vent with **YELLOW** tip.
- 6 Inlet assembly with aluminum screen that houses 2" adjustable orifice gate.
- 7 1/8" inch HDPE blue skirts.
- 8 2" Head (distance from center of inlet to water surface).
- 9 2" Inlet extension.

**PRE-ASSEMBLED
 FLEX HOSE
 ASSEMBLY**

Additional Parts Included

12" of
 4" Pipe



Can be added to 4" coupling to assist in attaching to outlet structure.

50'
 Rope



Attach to skimmer so that it can be pulled to the side of the sediment basin for maintenance.

Non-Included Parts

1/2" Sch 40 SOLID PVC barrel or "arm"
 (See #3)

SHIPS ASSEMBLED. USER INSTALLS COMPONENTS AND SETS ORIFICE GATE TO ENGINEER SPECIFIED OPENING PERCENTAGE.

For technical data, sizing, cut sheets, or design assistance please contact us at:

(919) 732-1244 or visit fairclothskimmer.com